

IPW Archway Regulations

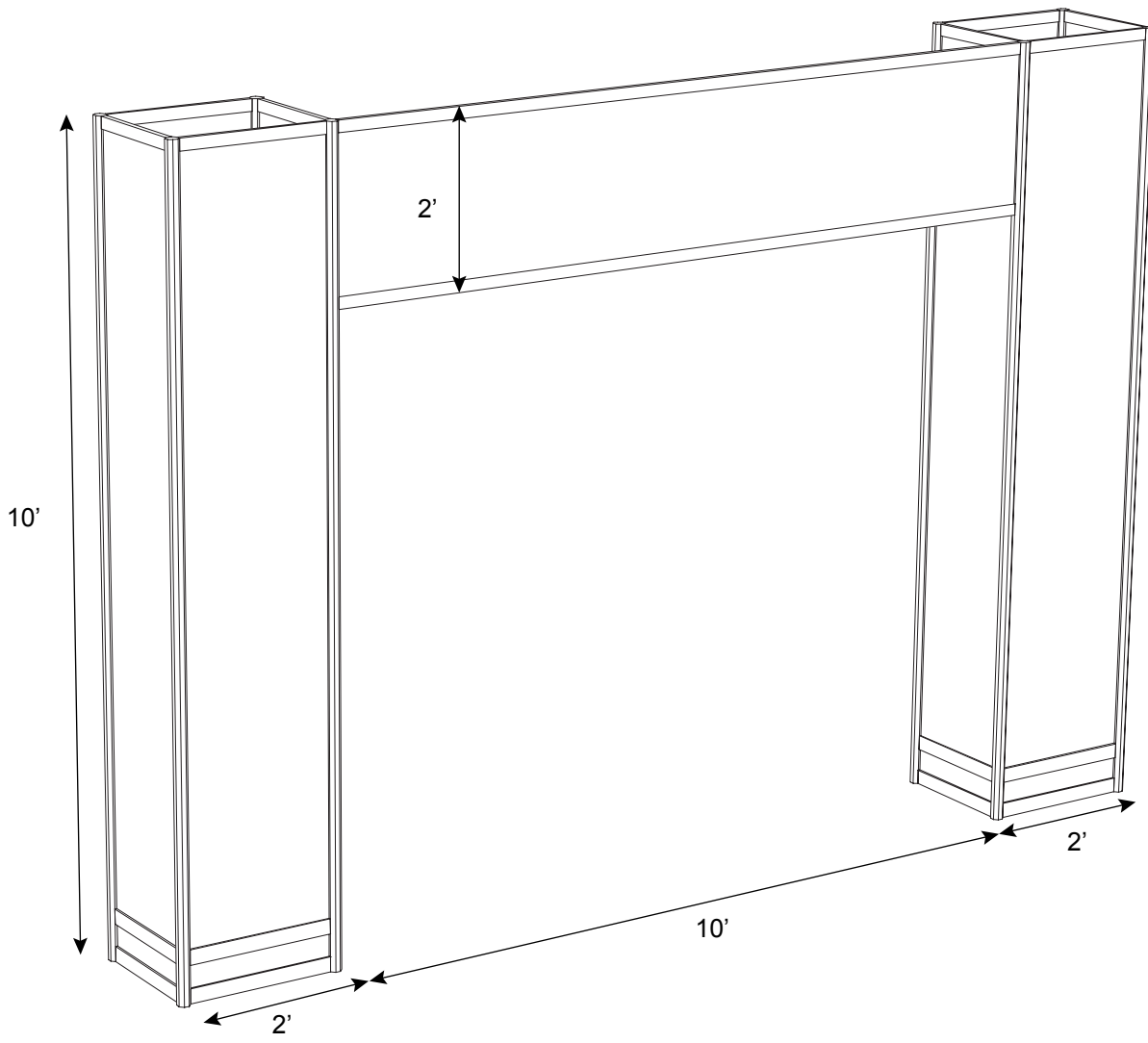
End of aisle archway

End of aisle signage and/or booth archways may only be placed at the beginning and ending of aisles/cross-aisles when exhibitors are all from the same destination, corporation or region. Exhibitors with three or more adjacent booths directly across the aisle from each other may place end of aisle signage and/or booth archways only at the corner of a cross-aisle when their booths do not span a full aisle. No signs, banners or archways over aisles will be permitted if the above criteria are not met.

Two general types of Archways are permitted on the show floor. Archways must not interfere with the set-up of non-participating exhibit booths and must not impeded reasonable sightlines.

Type 1

Archway must not exceed the 10' height restriction and the arch design cannot exceed 2' in width on all sides. The interior dimension of the archway must be 10' wide to span the distance of the aisle. Example of approved archway is below.



IPW Archway Regulations

End of aisle archway

Type 2:

Archway must not exceed the 10' height restriction and the arch design cannot exceed 2' in width across the top of the archway and 5' in width on the sides. The interior dimension of the archway must be wider than 18' to span the distance of the aisle. Example of approved archway is below.

