

# 2021 IPW Linear Booth Guidelines

Linear Booths, also called “in-line” booths, are generally arranged in a straight line and have neighboring exhibitors on their immediate right and left, leaving only one side exposed to the aisle.

## Dimensions

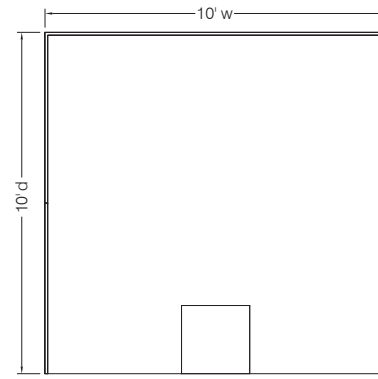
For purposes of consistency and ease of layout and/or reconfiguration, floor plan design in increments of 10' (3.05m) has become the de facto standard in the United States. Therefore, unless constricted by space or other limitations, Linear Booths are most commonly 10' (3.05m) wide and 10' (3.05m) deep, i.e. 10' by 10' (3.05m by 3.05m). A maximum back wall height limitation of 8' (2.44m) is specified.

## Use of Space

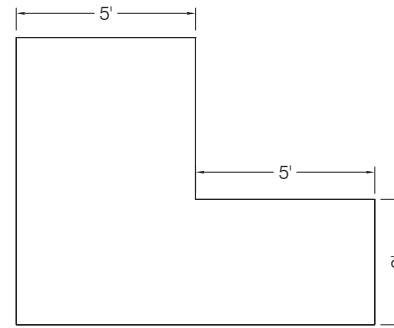
Regardless of the number of Linear Booths utilized, e.g. 10' by 26' (3.05m by 7.93m), 10' by 42' (3.05m by 12.8m), 10' by 58' (3.05m by 17.68m), etc. display materials should be arranged in such a manner so as not to obstruct sight lines of neighboring exhibitors. For 10x10 Exhibitors the maximum height of 8' is allowed only in the rear half of the booth space, with a 3' height restriction imposed on all materials in the remaining space forward to the aisle.

All display fixtures over 3' in height and placed within 10 lineal feet of an adjoining exhibit booth must be confined to that area of the exhibitor's space which is 5' from the aisle line. Exhibitors with larger space - 30 lineal feet or more - should also be able to effectively use as much of the total floor space as possible as long as they do not interfere with the rights of others. The limitation on display fixtures over 3' and within 10 lineal feet of the neighboring booth is intended to accomplish both of these goals.

Note: When three or more Linear Booths are used in combination as a single exhibit space, the 3' height limitation is applied only to that portion of exhibit space which is within 10' of an adjoining booth.



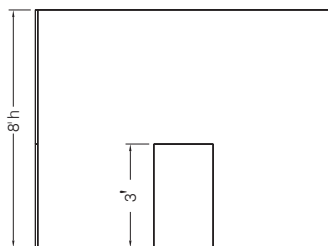
PLAN VIEW



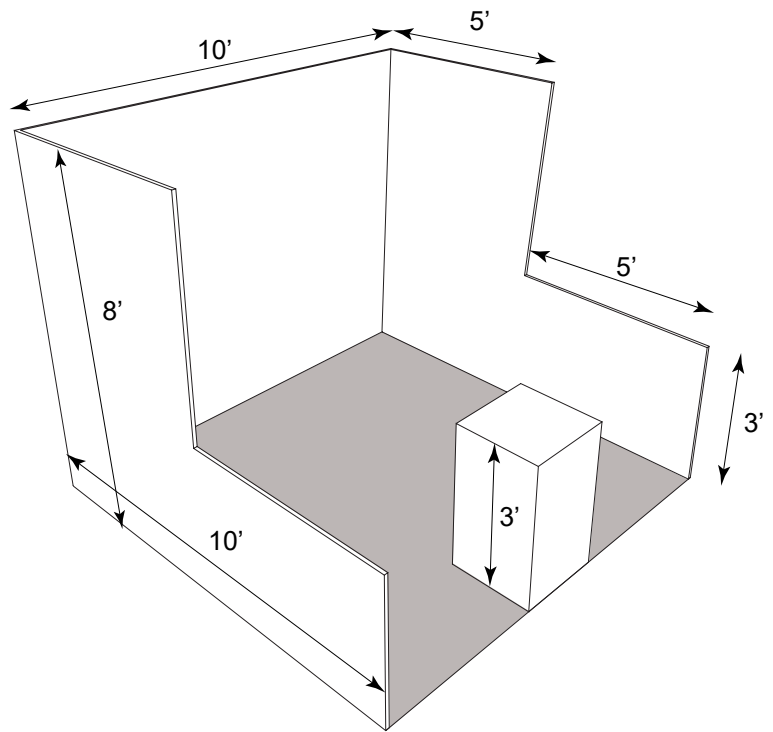
LEFT SIDE VIEW

## Corner Booth

A Corner Booth is a Linear Booth at the end of a series of in-line booths with exposure to intersecting aisles on two sides. All other guidelines for Linear Booths apply.

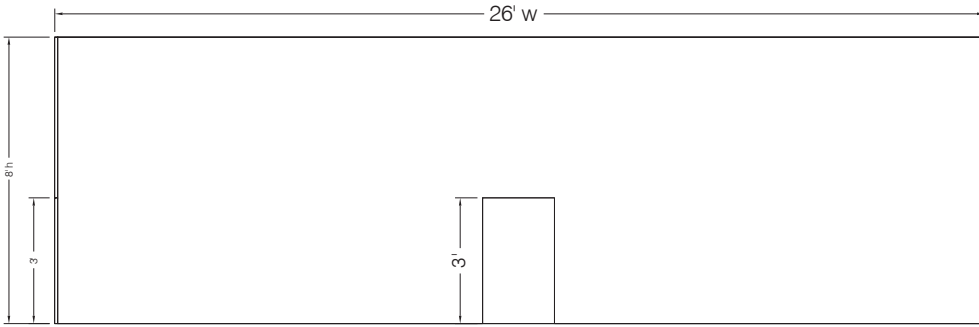


FRONT VIEW

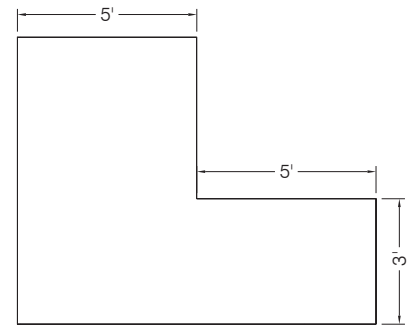


10' X 10' LINEAR BOOTH

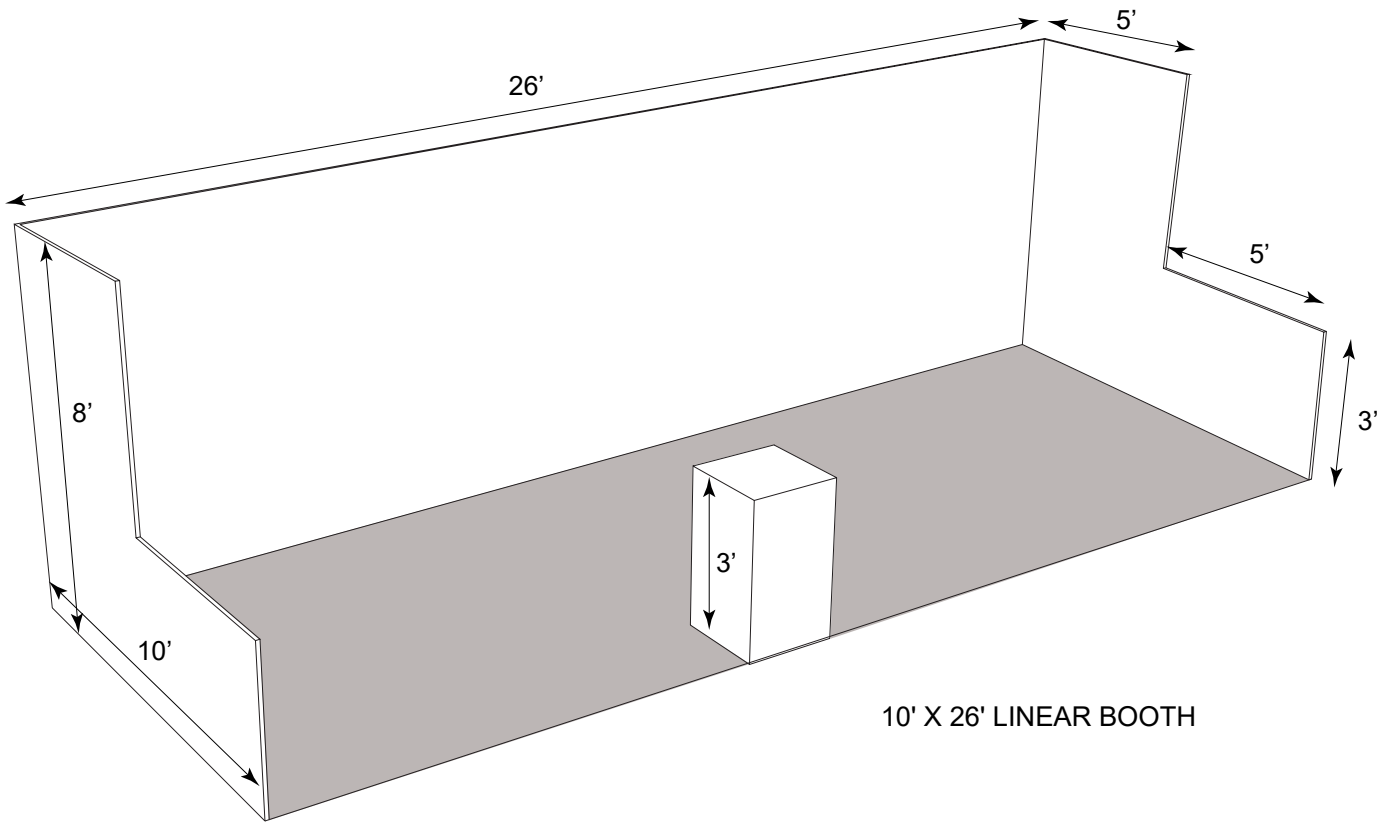
# 2021 IPW Linear Booth Guidelines



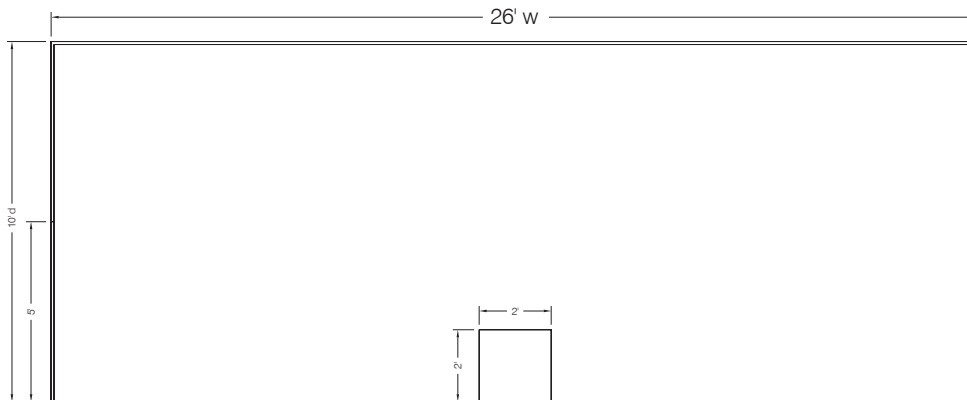
FRONT VIEW



LEFT SIDE VIEW

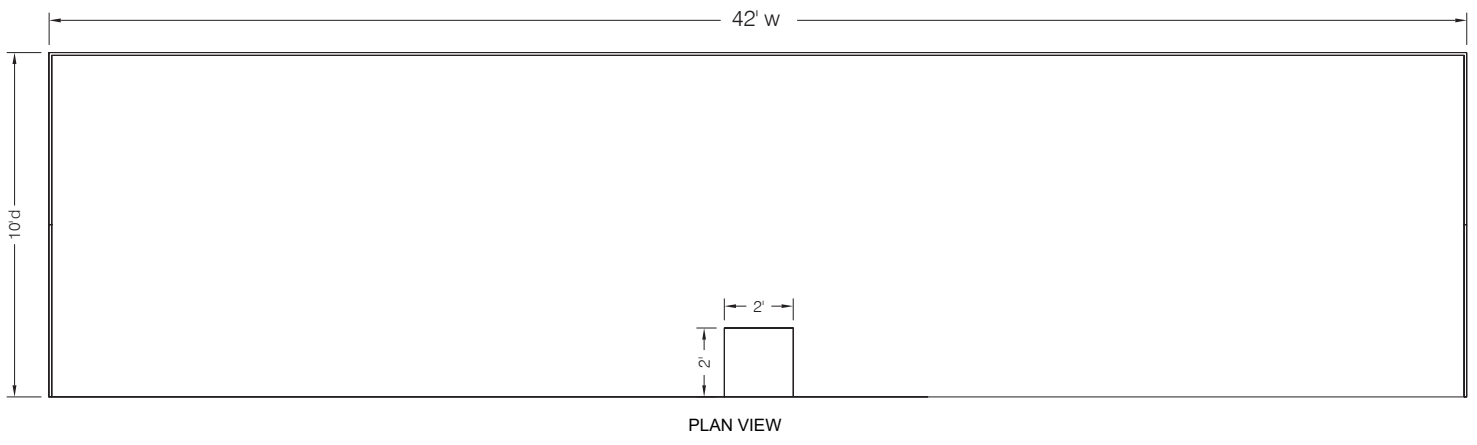
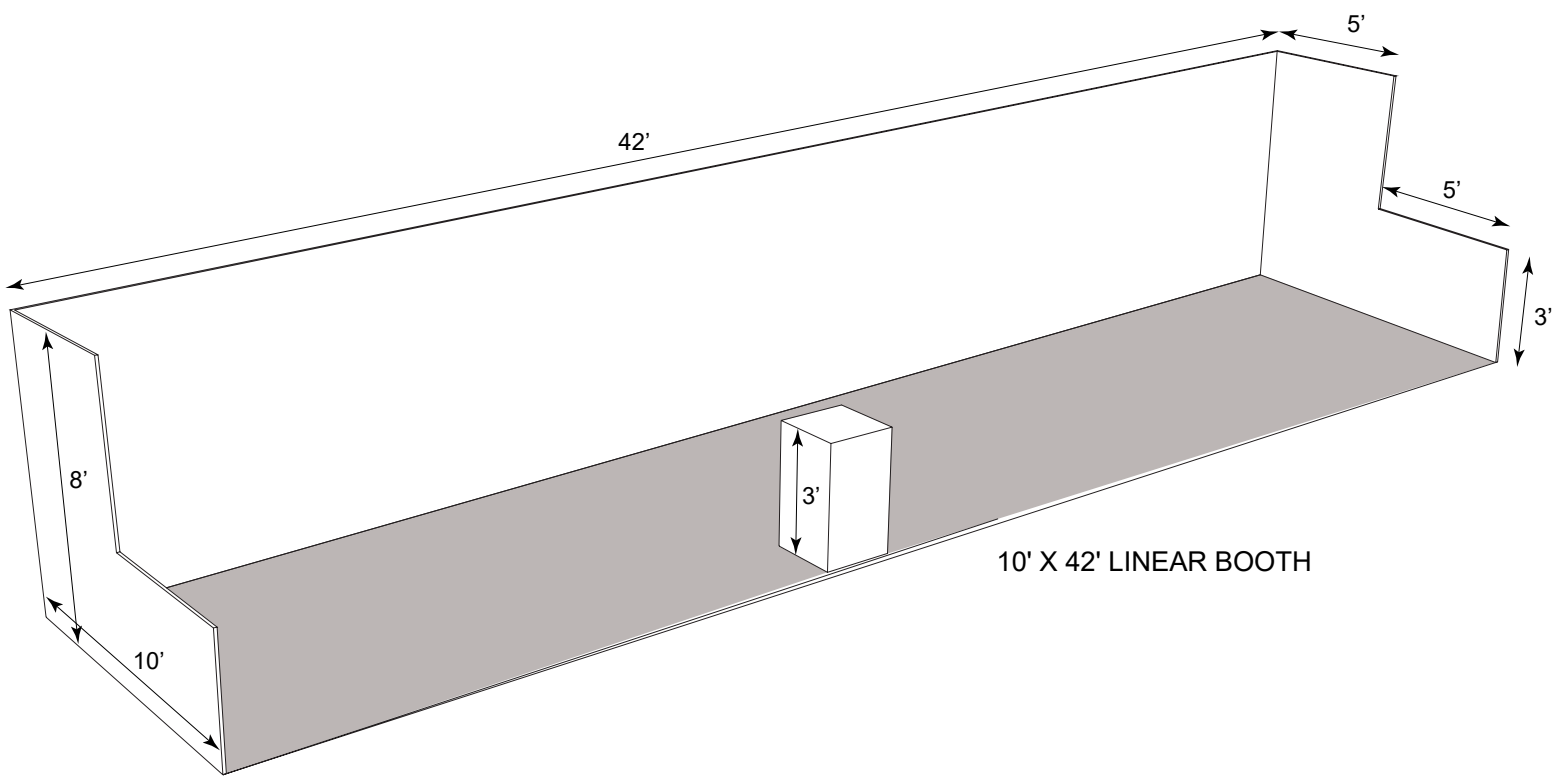
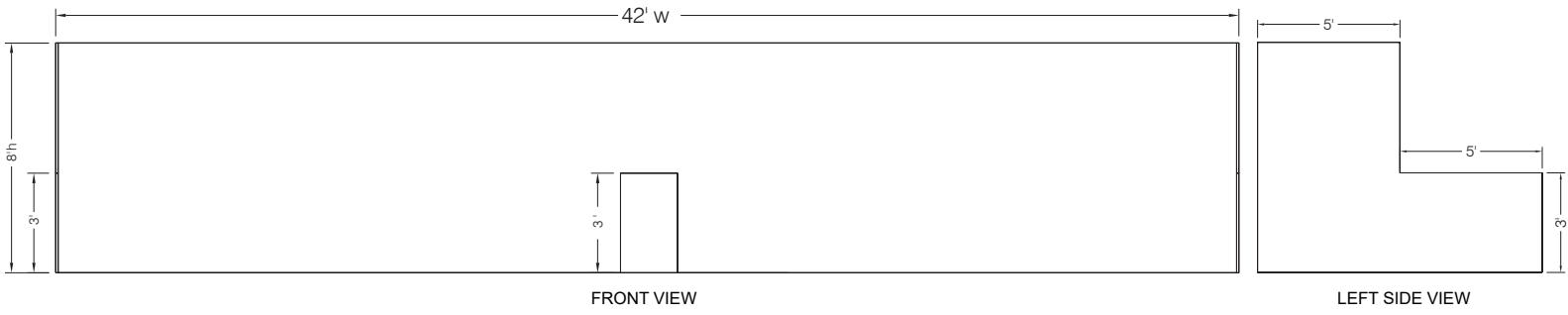


10' X 26' LINEAR BOOTH

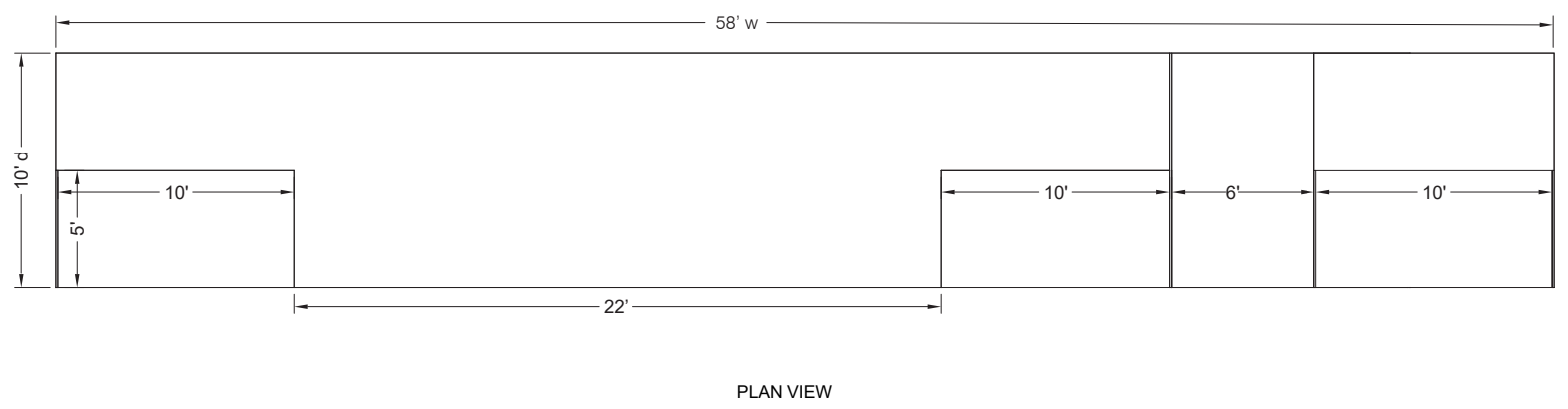
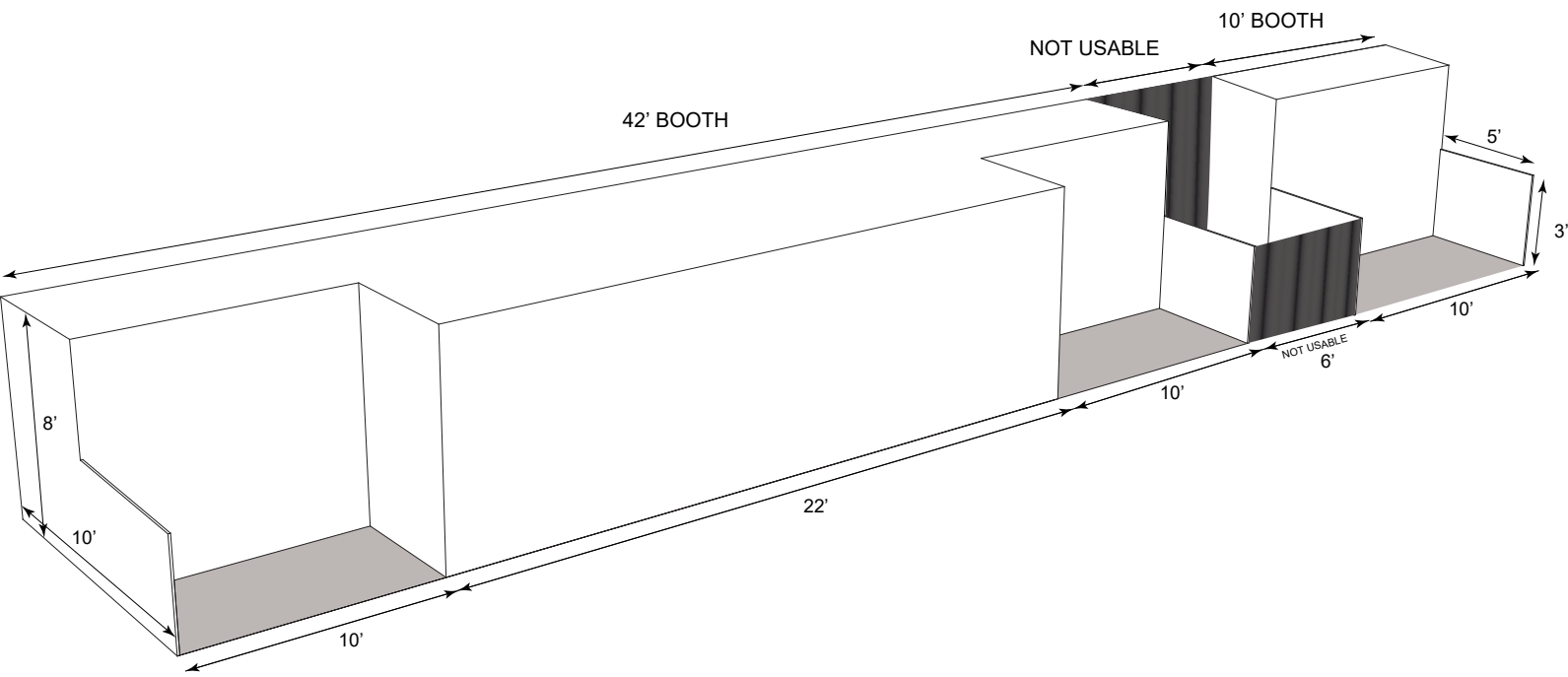
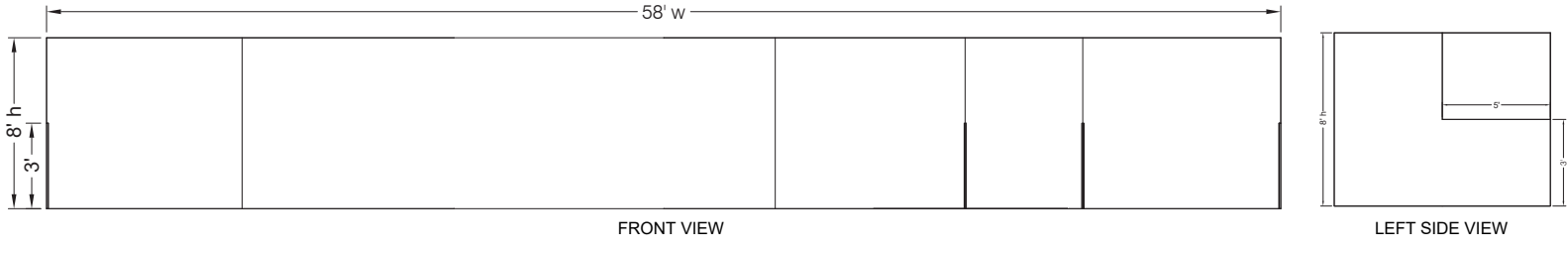


PLAN VIEW

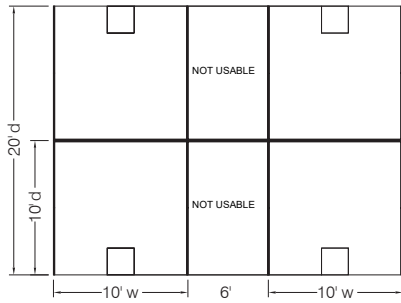
# 2021 IPW Linear Booth Guidelines



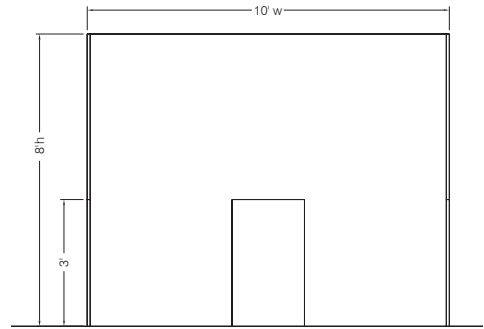
# 2021 IPW Linear Booth Guidelines



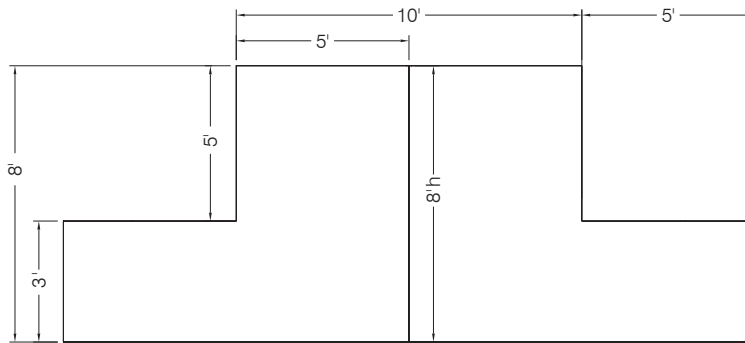
# 2021 IPW Linear Booth Guidelines



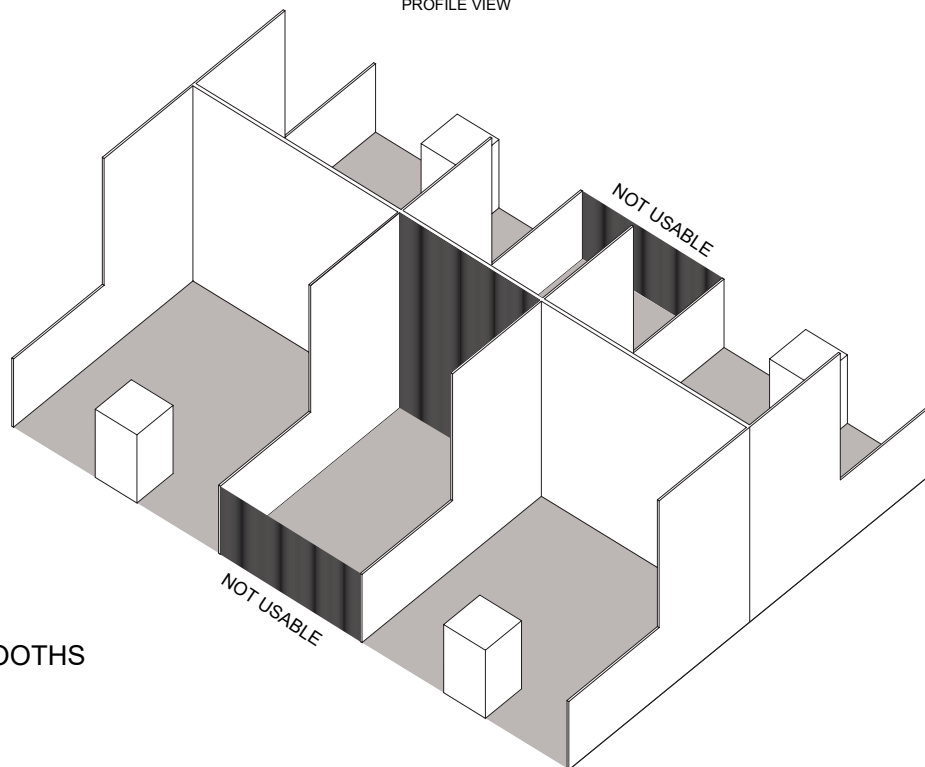
PLAN VIEW



FRONT VIEW



PROFILE VIEW



10' X 10' LINEAR BOOTHS